

Packs a Punch

ASUS Exclusive Innovations

- The **ASUS Phoenix GeForce® GTX 1650** is built with the breakthrough graphics performance of the award-winning NVIDIA Turing™ architecture to supercharge your favorite games.
- **Ultra-fast GDDR6** with over 50% more memory bandwidth for high-speed gaming.
- **GeForce Experience** lets you capture and share videos, screenshots, and livestreams with friends, keep GeForce drivers up to date, and easily optimize your in-game settings.



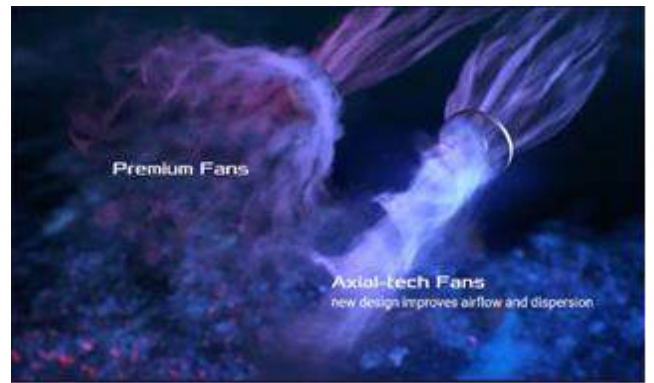
■ Dual Ball Fan Bearings

Dual ball bearings can last up to twice as long as sleeve-bearing designs.



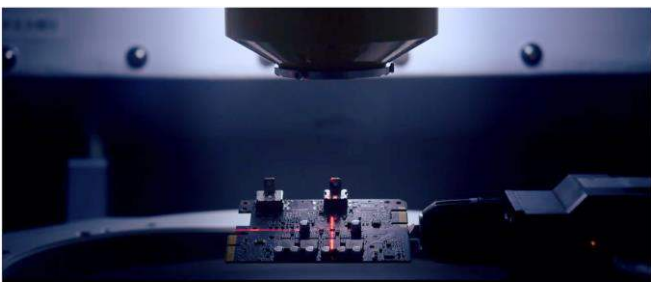
■ Axial-tech Fan Design

A smaller fan hub facilitates longer blades and a barrier ring that increases downward air pressure.



■ Auto-Extreme Technology

An automated manufacturing process that enhances reliability.



■ Stainless Steel Bracket

Harder and more resistant to corrosion.



ASUS Features

4GB
GDDR6
Memory

● **4GB GDDR6 Memory:**
On-board memory for the best gaming experience & the best resolution.

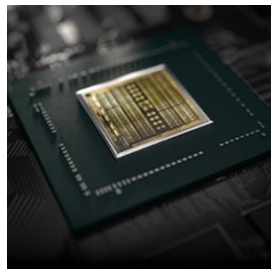
GPU Tweak II
Real-time Graphics Tuning
and Live Streaming

● **Software Suite:**
Tweak performance with GPU Tweak II, stream games with XSplit Gamecaster, get a better connection to game servers with wtfast.



*Free 14-day premium XSplit Gamecaster.
Six-month wtfast premium license — a USD\$53.95 value — to let user enjoy online gaming that's free from lag, latency and lost packets.

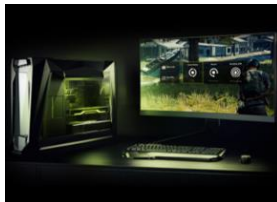
Graphics GPU Features



● **TURING SHADERS:**
Featuring concurrent execution of floating point and integer operations, adaptive shading technology, and a new unified memory architecture with twice the cache of its predecessor, NVIDIA Turing™ shaders enable awesome performance increases in today's games.



● **AWESOME PERFORMANCE:**
Easily upgrade your PC and get game ready with performance that's twice as fast as the GeForce GTX 950 and up to 70% faster than the GTX 1050 in the latest games.

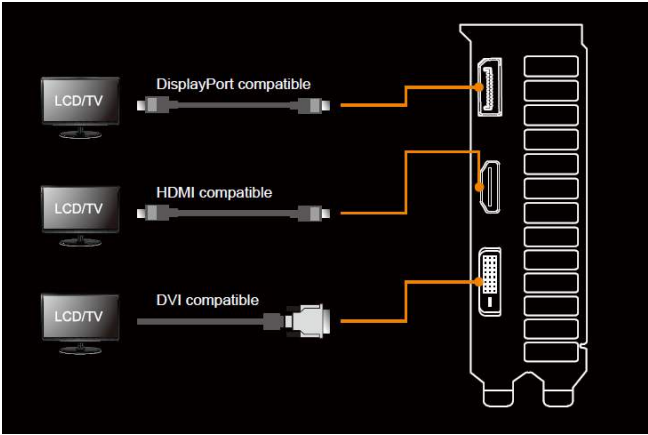


● **GEFORCE EXPERIENCE:**
GeForce Experience™ is the essential companion to your GeForce graphics card. Capture and share videos, screenshots, and livestreams with friends, keep your GeForce drivers up to date, and easily optimize your in-game settings.



● **NVIDIA® ANSEL:**
This powerful tool lets you take professional-grade screenshots of your games. Now, you can record and share your most brilliant gaming experiences with super-resolution, 360-degree, HDR, and stereoscopic capture modes.

I/O Specifications



● **MORE CREATING, LESS WAITING:**
Dedicated GPU power accelerates the creative apps you use every day. Combined with NVIDIA Creator Ready Drivers, you'll get additional performance and reliability to supercharge your creativity.



● **NVIDIA® G-SYNC™ TECHNOLOGY:**
For the smoothest and fastest gaming imaginable, eliminating screen tearing and minimizing display stutter and input lag.

Hardware Specification

Model	PH-GTX1650-4GD6-P
Graphics Engine	NVIDIA [®] GeForce [®] GTX 1650
CUDA cores	896
NVENC encorder	Turing
OpenGL	OpenGL [®] 4.6
Engine Clock	OC mode : 1620 MHz (Boost Clock) Gaming mode : 1590 MHz (Boost Clock) / 1410 MHz (Base Clock)
Memory Interface	128 bit
Video Memory	4GB GDDR6
Memory Speed	12 Gbps
Power connectors	1x 6-pin
I/O	1x Native HDMI 2.0b 1x Native DisplayPort 1.4a 1x Native DVI-D
HDCP compliant	HDCP 2.2
Digital Max Resolution	7680 x 4320
Maximum Display Support	3
NVLink / Crossfire Support	N/A
Recommended PSU	300 W
Bus Standard	PCIe 3.0
Package Contents	1 x Speedsetup Manual
Software Bundled	ASUS GPU Tweak II & Driver, please download all software from the support site.
Slot	2 slot
Dimension	
Card Size (cm/inch)	17.8 x 12.8 x 3.6 cm 7 x 5.03 x 1.41 inches
Color Box (mm)	300 x 218 x 55 mm
Weight	
Single Card (KG)	0.51
Product Weight (with packing) (KG)	0.828
Note	* All specifications are subject to change without notice. Please check with your supplier for exact offers. Products may not be available in all markets. If you do not use the latest and current specifications of ASUS products, you shall be liable for all loss and damage claimed by third party to ASUS based on false advertising or any other issues caused from using false specifications of ASUS products.

