

DHI-ASI1202M

Access Controller



- Material: Zinc alloy plate
- Support card unlock, fingerprint unlock, and card&fingerprint unlock
- Card reading frequency is 13.56MHZ; card reading distance is 1cm–3cm
- Support both RS-485 protocol and Wiegand protocol
- IP65, IK10
- Fingerprint Capacity: 3, 000
- Support duress alarm, tamper alarm, intrusion alarm, door contact timeout alarm, and illegal card exceeding time alarm
- Support guest card, patrol card, VIP card, general user card, and card for the disabled



Technical Specification

System

Main Processor	Embedded processor
Network Protocol	IPv4; TCP
OSDP Protocol	Yes
SDK and API	Yes

Basic

Appearance	All-in-one
Buzzer	Yes
Casing	Zinc alloy

Function

Unlock Mode	Fingerprint/Card unlock
Card Reading Type	IC card
Period List	128
Holiday Period	128
Network Update	Yes
First Card Unlock	Yes
Remote Verification	Yes
Blocklist/Allowlist	Yes
Peripheral Card Reader	1 RS-485, 1 Wiegand
Multiple Authentication	Support card/fingerprint unlock

Real-Time Surveillance	Yes
Group Combination	Yes
Register	Yes

Performance

Card Reading Distance	1cm–3cm
Fingerprint Sensor Type	Optical
Fingerprint Verification	1:N
Fingerprint Comparison Time	≤1.5s
Fingerprint Recognition Time	≤0.5s

User

User (Card) Type	General user/VIP/patrol user/guest/blocklist user/special user
------------------	--

Capacity

User Capacity	30,000
Fingerprint Capacity	3,000
Card Capacity	30,000
Record Capacity	150,000

Port

RS-485	1
Wiegand	1 (input and output ports are the same)
USB	1 USB2.0 port
Network	1 RJ-45, 10Mbps/100Mbps self-adaptive

Alarm Input	1 (digital quantity)
Alarm Output	1 (relay)
Alarm Linkage	Yes
Exit Button	1
Door Status Detection	1
Lock Control	1

Alarm

Anti-Passback	Yes
Tamper Alarm	Yes
Duress Alarm	Yes
Door Sensor Timeout	Yes
Intrusion	Yes
Illegal Card Exceeding Threshold	Yes
Duress Fingerprint	Yes

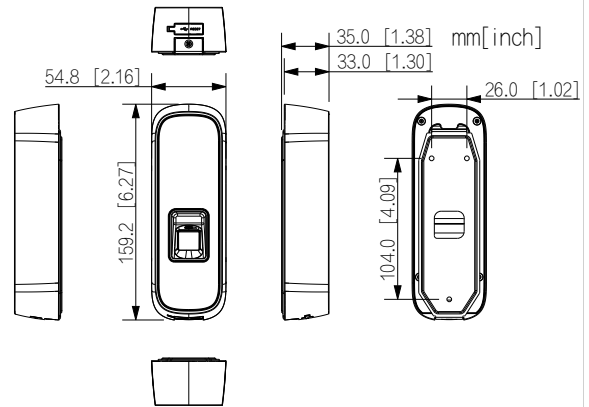
General

Power Adapter	Optional
Power Supply	12V DC 1A
Protection Grade	IP65 (Apply silica gel to gaps, for details, see the quick start guide.) IK10
Power Consumption	≤1.8W (standby), ≤3W (working)
Product Dimensions	54.8 mm × 159.2 mm × 35.0 mm (2.16" × 6.27" × 1.38")
Box Dimensions	206 mm × 106 mm × 9.7 mm (8.11" × 4.17" × 3.82") (Product box) 53mm × 428mm × 220mm (21.77" × 16.85" × 8.66") (Protective box)
Operating Temperature	-30°C to +50°C (-22°F to +122°F)
Operating Humidity	5%RH–95%RH (non-condensing)
Operating Altitude	0m–1300m (0ft–4265.09ft)
Operating Environment	Outdoor
Net weight	0.7kg (1.54 lb)
Gross Weight	0.79kg (1.74 lb)
Accessory	Bracket
Installation	Surface mount
Certifications	CE FCC

Ordering Information

Type	Part Number	Description
Access Controller	DHI-ASI1202M	Fingerprint Access Controller

Dimensions (mm[inch])



Application

